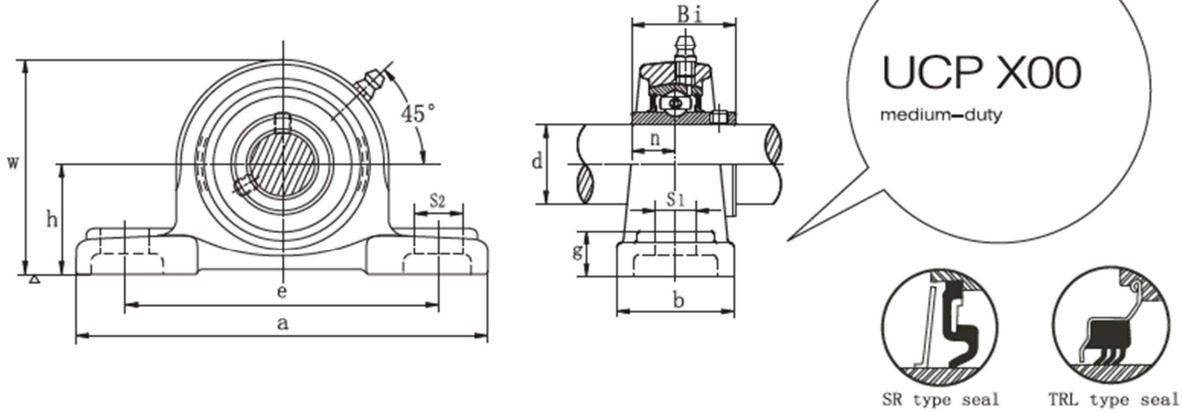


Pillow Blocks

PDF Compressor Free Version



Bearing unit	Shaft Dia*	Dimensions(in)or(mm)										Boil used	Bearing	Housing weight
No.	d	h	a	e	b	S2	S1	g	w	Bi	n	No.	No.	
	(in.)	(mm)										(mm)	(in.)	(Kc)
UCP X05		25											UC X05	
X05-14	7/8	1 3/4	6 1/4	4 1/16	2	5 1/64	2 1/32	45/64	3 11/32	1.5000	0.6260	M14	1/2	X05-14
X05-16	1	44.4	159	119	51	20	17	18	85	38.1	15.9			PX05
X05-16														X05-16
UCP X06		30											UC X06	
X06-18	1 1/8	1 7/8	6 7/8	5	2 1/4	5 1/64	2 1/32	25/32	3 45/64	1.6890	0.6890	M14	1/2	X06-18
X06-19	1 3/16													X06-19
X06-20	1 1/4	47.6	175	127	57	20	17	20	94	42.9	17.5			PX06
X06-20														X06-20
UCP X07-20	1 1/4												UC X07-20	
X07-22	1 3/8	2 1/8	8	5 25/32	2 1/4	63/64	2 1/32	55/64	4 1/8	1.9370	0.7480	M14	1/2	X07-22
X07		54.0	203	144	57	25	17	22	105	49.2	19.0			PX07
X07-23	1 7/16													X07-23
UCP X08-24	1 1/2	2 5/16	8 3/4	6 5/32	2 5/8	1 1/16	25/32	1 1/32	4 29/64	1.9370	0.7480	M16	5/8	UC X08-24
X08		58.7	222	156	67	27	20	26	113	49.2	19.0			X08
X08														PX08
UCP X09-26	1 5/8												UC X09-26	
X09-27	1 11/16	2 5/16	8 3/4	6 5/32	2 5/8	1 1/16	25/32	1 1/32	4 9/16	2.0315	0.7480	M16	5/8	X09-27
X09-28	1 3/4	58.7	222	156	67	27	20	26	116	51.6	19.0			X09-28
X09														X09
UCP X10-31	1 5/16												UC X10-31	
X10	2	2 1/2	9 1/2	6 23/32	2 7/8	1 3/16	25/32	1 1/16	4 3/32	2.1890	0.8740	M16	5/8	X10
X10-32		63.5	241	171	73	30	20	27	126	55.6	22.2			PX10
X10-32														X10-32
UCP X11		55											UC X11	
X11-32	2	2 3/4	10 1/4	7 1/4	3 1/8	1 3/16	63/64	1 3/16	5 15/32	2.5630	1.0000	M20	3/4	X11-32
X11-35	2 3/16	69.8	260	184	79	30	25	30	139	65.1	25.4			X11-35
X11-36	2 1/4													X11-36
UCP X12		60											UC X12	
X12-36	2 1/4	3	11 1/4	8	3 9/32	1 3/16	63/64	1 7/64	5 31/32	2.5630	1.0000	M20	3/4	X12-36
X12-38	2 3/8	76.2	286	203	83	30	25	32	152	65.1	25.4			X12-38
X12-39	2 7/16													X12-39
UCP X13-40	2 1/2												UC X13-40	
X13	3	76.2	286	203	83	30	25	32	154	2.9370	1.1890	M20	3/4	X13
X13										74.6	30.2			PX13
UCP X14-44	2 3/4	3 1/2	13	9 1/32	3 1/2	1 37/64	1 1/16	1 3/8	6 23/32	3.0630	1.3110	M22	7/8	UC X14-44
X14	70	88.9	330	229	89	40	27	35	171	77.8	33.3			X14
X14														PX14
UCP X15		75											UC X15	
X15-47	2 5/16	3 1/2	13	9 1/32	3 1/2	1 37/64	1 1/16	1 3/8	6 7/8	3.2520	1.3110	M22	7/8	X15-47
X15-48	3	88.9	330	229	89	40	27	35	175	82.6	33.3			X15-48
X15-48														X15-48
UCP X16		80											UC X16	
X16-50	3 1/8	4	15	11 1/32	4 1/32	1 37/64	1 1/16	1 21/32	7 11/16	3.3740	1.3425	M22	7/8	X16-50
X16-50		101.6	381	283	102	40	27	42	195	85.7	34.1			PX16
UCP X17		85											UC X17	
X17-52	3 1/4	4	15	11 9/32	4 1/32	1 37/64	1 1/16	1 9/64	7 7/8	3.7795	1.5630	M22	7/8	X17-52
X17-52		101.6	381	283	102	40	27	45	200	96.0	39.7			PX17
UCP X18-56	3 1/2	4	15	11 5/32	4 3/8	1 37/64	1 1/16	1 49/64	8 1/32	4.0945	1.6890	M22	7/8	UC X18-56
X18	90	101.6	381	283	111	40	27	45	204	104.0	42.9			X18
X18														PX18
UCP X20		100											UC X20	
X20-64	4	5	17	13 9/32	4 3/4	1 37/64	1 5/16	2 3/64	9 21/32	4.6260	1.9370	M27	1	X20
X20-64		127.0	432	337	121	40	33	52	245	117.5	49.2			X20-64