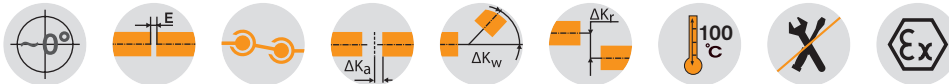


# BoWex® M, I and M...C Curved-tooth gear coupling®

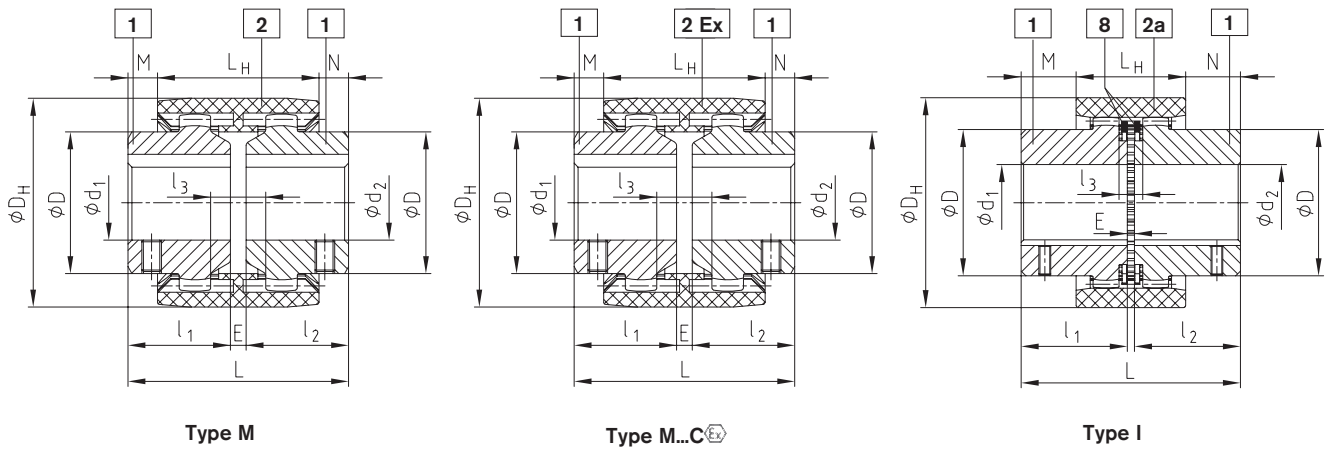
Compact and maintenance-free



For legend of pictogram please refer to flapper on the cover



## Components



BoWex® type M, type I and type M...C Ex																				
Size		Finish bore d1, d2		Dimensions [mm]											Weight with max. bore Ø			Mass moment of inertia J with max. bore Ø		
		Pilot bored	max.	l1, l2	E	L	Lh	M, N	l3	D	Dh	Tip circle Ø DZ hub	Number of teeth	Hub length. l1, l2 max.	Sleeve [kg]	Hub [kg]	Total [kg]	Sleeve [kgcm2]	Hub [kgcm2]	Total [kgcm2]
White sleeve	Black sleeve Ex																			
M-14	M-14C	-	15	23	4	50	37	6,5	10	25	40	33	20	40	0,03	0,07	0,10	0,08	0,09	0,26
M-19	M-19C	-	20	25	4	54	37	8,5	10	32	47	39	24	40	0,03	0,10	0,23	0,15	0,16	0,47
M-24	M-24C	-	24	26	4	56	41	7,5	14	36	53	45	28	50	0,04	0,14	0,32	0,21	0,36	0,93
M-28	M-28C	-	28	40	4	84	46	19	13	44	65	54	34	55	0,08	0,33	0,74	0,65	1,22	3,09
M-32	M-32C	-	32	40	4	84	48	18	13	50	75	63	40	55	0,09	0,43	0,95	1,14	2,17	5,48
M-38	M-38C	-	38	40	4	84	48	18	13	58	83	69	44	60	0,13	0,55	1,23	1,58	3,55	8,68
M-42		-	42	42	4	88	50	19	13	65	92	78	50	60	0,14	0,68	1,50	2,32	5,98	14,28
M-48	M-48C	-	48	50	4	104	50	27	13	68	95	78	50	60	0,23	0,79	1,81	3,90	7,22	18,34
M-65	M-65C	21	65	55	4	114	68	23	16	96	132	110	42	70	0,55	1,90	4,35	21,2	31,8	84,8
I-80		31	80	90	6	186	93	46,5	20	124	178	145	46	-	1,13	5,20	11,53	68,9	150,8	370,5
I-100		38	100	110	8	228	102	63	22	152	210	176	48	-	1,78	9,37	20,52	158,6	401,3	961,2
I-125		45	125	140	10	290	134	78	30	192	270	225	54	-	3,88	19,44	42,76	562,9	1362,3	3287,5

Ordering example:	BoWex® M-28	d1 Ø20	d2 Ø28
	Size and type of coupling	Finish bore H7 keyway to DIN 6885 sheet 1 (JS9)	Finish bore H7 keyway to DIN 6885 sheet 1 (JS9)

# BoWex® M Curved-tooth gear coupling®

Made of corrosion-resistant materials



For legend of pictogram please refer to flapper on the cover



BoWex® junior plug-in coupling (two-part) and BoWex® junior M (three-part)

Size	Finish bore				Dimensions [mm]									
	Hub part 1b		Plug-in sleeve part 2b		D <sub>H</sub>	l <sub>1</sub> , l <sub>2</sub>	E <sub>1</sub>	E	L <sub>H1</sub>	L <sub>H</sub>	L <sub>1</sub>	L	M <sub>1</sub>	M, N
	d <sub>1</sub>	D <sub>1</sub>	d <sub>2</sub>	D <sub>2</sub>										
14	Ø6, Ø7, Ø8, Ø9	22	Ø8	22	40	23	2	4	40	37	48	50	8	6,5
M-14	Ø10, Ø11	25	Ø10, Ø11	25										
	Ø12, Ø14	26	Ø12, Ø14	26										
19	Ø12, Ø14	27	Ø14, Ø15	29	48	25	2	4	42	37	52	54	10	8,5
M-19	Ø16	30												
	Ø19	32												
24	Ø10, Ø11, Ø12	26	Ø14, Ø16	32	53	26	2	4	45	41	54	56	9	7,5
M-24	Ø14, Ø15, Ø16	32												
	Ø18, Ø19, Ø20	36												
	Ø24	38	Ø24	40										

BoWex® type M

Size	Finish bore d <sub>1</sub> max., d <sub>2</sub> max.	Dimensions [mm]						
		D <sub>H</sub>	D	l <sub>1</sub> , l <sub>2</sub>	E	L <sub>H</sub>	L	M, N
M-24	24	53	36	26	4	41	56	7,5
M-38	38	83	58	40	4	48	84	18
M-48	48	95	68	50	4	50	104	27

Other coupling sizes: M24C, M38C, M48C on request. Setscrews with BoWex Junior coupling are made of V4A as a standard.

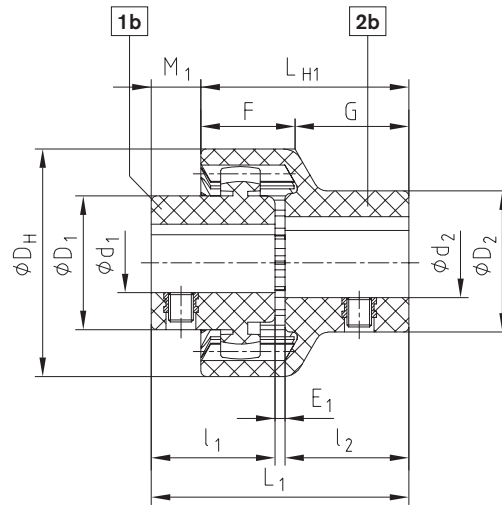
### Applications:

Food industry, print and paper industry, textile industry, sewage technology, wash-mobiles, chemical and pharmaceutical industry, offshore units, etc. For use in aggressive environment (air, water, chemicals, etc.).

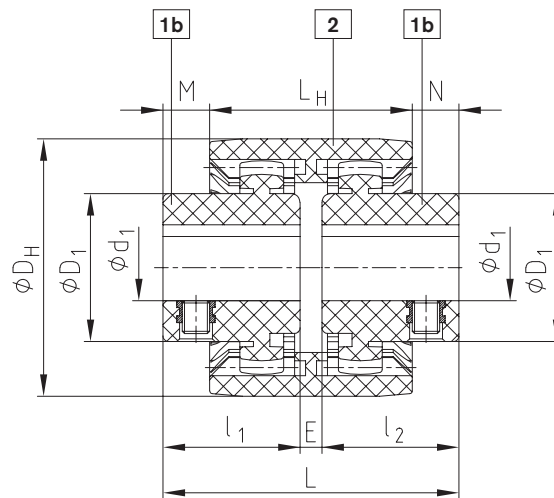
Ordering  
example:

BoWex® M-24 V4A	d <sub>1</sub> Ø20	d <sub>2</sub> Ø24
Size and type of coupling	Finish bore H7 keyway to DIN 6885 sheet 1 (JS9)	Finish bore H7 keyway to DIN 6885 sheet 1 (JS9)

Type junior plug-in coupling (two-part)



Type junior M coupling (three-part)



Type M V4A

