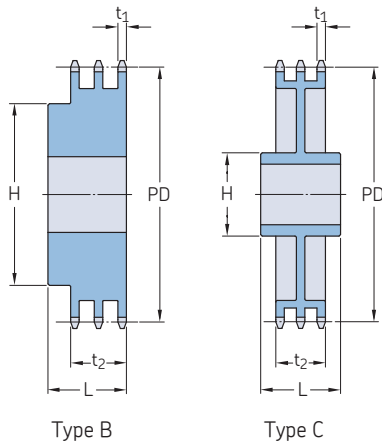


Metric sprockets, triplex, standard

ISO 06B-3 · 9,525 mm pitch | ISO 08B-3 · 12,70 mm pitch

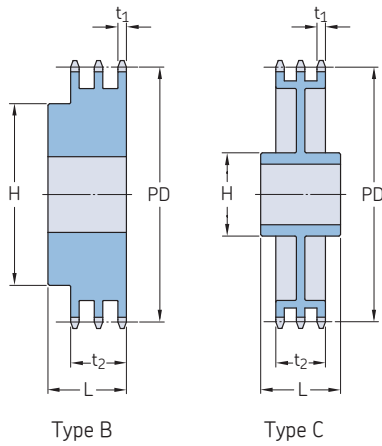


Pitch	Number of teeth	Pitch diameter PD	Type	Dimensions Bore		Hub		Plate thickness		Mass	Designation
				Min.	Max.	H	L	t ₁	t ₂		
mm	-	mm	-	mm						kg	-
9,525	12	36,80	B	10	16	25	35	5,20	25,70	0,23	PHS 06B-3BH12
	13	39,79	B	10	18	28	35	5,20	25,70	0,27	PHS 06B-3BH13
	14	42,80	B	12	18	31	35	5,20	25,70	0,32	PHS 06B-3BH14
	15	45,81	B	12	20	34	35	5,20	25,70	0,36	PHS 06B-3BH15
	16	48,82	B	12	20	37	35	5,20	25,70	0,45	PHS 06B-3BH16
	17	51,83	B	12	24	40	35	5,20	25,70	0,54	PHS 06B-3BH17
	18	54,85	B	12	25	43	35	5,20	25,70	0,64	PHS 06B-3BH18
	19	57,87	B	12	28	46	35	5,20	25,70	0,72	PHS 06B-3BH19
	20	60,89	B	12	30	49	35	5,20	25,70	0,77	PHS 06B-3BH20
	21	63,91	B	14	30	52	40	5,20	25,70	0,86	PHS 06B-3BH21
	22	66,93	B	14	35	55	40	5,20	25,70	0,95	PHS 06B-3BH22
	23	69,95	B	14	38	58	40	5,20	25,70	1,04	PHS 06B-3BH23
	24	72,97	B	14	39	61	40	5,20	25,70	1,18	PHS 06B-3BH24
	25	76,02	B	14	40	64	40	5,20	25,70	1,27	PHS 06B-3BH25
	26	79,02	B	14	42	67	40	5,20	25,70	1,31	PHS 06B-3BH26
	27	82,02	B	14	45	70	40	5,20	25,70	1,36	PHS 06B-3BH27
	28	85,07	B	14	48	73	40	5,20	25,70	1,50	PHS 06B-3BH28
	29	88,09	B	14	50	76	40	5,20	25,70	1,68	PHS 06B-3BH29
	30	91,12	B	14	52	79	40	5,20	25,70	1,72	PHS 06B-3BH30
	32	97,17	B	16	52	80	40	5,20	25,70	2,00	PHS 06B-3BH32
	35	106,26	B	16	52	85	40	5,20	25,70	2,25	PHS 06B-3BH35
	36	109,29	B	16	60	90	40	5,20	25,70	2,33	PHS 06B-3BH36
	38	115,35	B	16	60	90	40	5,20	25,70	2,49	PHS 06B-3BH38
	40	121,40	B	16	60	90	40	5,20	25,70	2,65	PHS 06B-3BH40
	42	127,46	B	16	60	90	56	5,20	25,70	2,81	PHS 06B-3BH42
	45	136,55	B	16	60	90	56	5,20	25,70	3,00	PHS 06B-3BH45
	48	145,64	B	16	60	90	56	5,20	25,70	3,20	PHS 06B-3BH48
	52	157,75	B	16	60	90	56	5,20	25,70	3,46	PHS 06B-3BH52
	57	172,91	B	16	60	90	56	5,20	25,70	4,77	PHS 06B-3BH57
	60	181,99	B	16	60	90	56	5,20	25,70	5,02	PHS 06B-3BH60
	68	206,24	B	16	60	90	56	5,20	25,70	5,69	PHS 06B-3BH68
	70	212,30	B	16	60	90	56	5,20	25,70	5,86	PHS 06B-3BH70
72	218,37	B	16	60	90	56	5,20	25,70	6,02	PHS 06B-3BH72	
76	230,49	B	16	64	90	56	5,20	25,70	8,48	PHS 06B-3BH76	
84	254,74	B	16	64	90	56	5,20	25,70	9,37	PHS 06B-3BH84	
95	288,08	B	16	64	90	56	5,20	25,70	13,61	PHS 06B-3BH95	
96	291,11	B	16	64	90	56	5,20	25,70	13,75	PHS 06B-3BH96	
114	345,69	B	16	64	90	56	5,20	25,70	17,48	PHS 06B-3BH114	
12,70	11	45,07	B	14	22	32	50	7,24	35,05	0,32	PHS 08B-3BH11
	12	49,07	B	14	24	35	50	7,24	35,05	0,45	PHS 08B-3BH12
	13	53,06	B	14	25	38	50	7,24	35,05	0,59	PHS 08B-3BH13
	14	57,07	B	14	28	42	50	7,24	35,05	0,72	PHS 08B-3BH14
	15	61,09	B	14	31	46	50	7,24	35,05	0,81	PHS 08B-3BH15
	16	65,10	B	16	35	50	50	7,24	35,05	0,90	PHS 08B-3BH16
	17	69,11	B	16	36	54	50	7,24	35,05	1,04	PHS 08B-3BH17
	18	73,14	B	16	38	58	50	7,24	35,05	1,22	PHS 08B-3BH18
	19	77,16	B	16	40	62	50	7,24	35,05	1,41	PHS 08B-3BH19
	20	81,19	B	16	40	66	50	7,24	35,05	1,58	PHS 08B-3BH20
	21	85,22	B	16	45	70	55	7,24	35,05	1,81	PHS 08B-3BH21
	22	89,24	B	16	45	70	55	7,24	35,05	2,03	PHS 08B-3BH22
	23	93,27	B	16	45	70	55	7,24	35,05	2,27	PHS 08B-3BH23
	24	97,29	B	16	50	75	55	7,24	35,05	2,44	PHS 08B-3BH24
	25	101,33	B	16	52	80	55	7,24	35,05	2,54	PHS 08B-3BH25

Maximum bores can accommodate standard keyways. Larger bores are available where a shallow keyway is used or no keyway is required. All Type B or C sprockets, up to and including 25 tooth, are with hardened teeth as standard. For any additional size sprockets with hardened teeth, add "H" before the number of teeth, e.g. PHS 06B-3BH12.

Metric sprockets, triplex, standard

ISO 12B-3 · 19,05 mm pitch | ISO 16B-3 · 25,40 mm pitch | ISO 20B-3 · 31,75 mm pitch



Pitch	Number of teeth	Pitch diameter PD	Type	Dimensions Bore		Hub		Plate thickness		Mass	Designation
				Min.	Max.	H	L	t ₁	t ₂		
mm	-	mm	-	mm						kg	-
19,05	35	212,52	B	25	85	130	70	10,87	49,78	18,95	PHS 12B-3B35
	36	218,58	B	25	85	130	70	10,87	49,78	19,49	PHS 12B-3B36
	38	230,69	B	25	85	130	70	10,87	49,78	20,57	PHS 12B-3B38
	45	273,10	B	25	85	140	70	10,87	49,78	24,36	PHS 12B-3B45
	48	291,27	B	25	85	140	70	10,87	49,78	25,98	PHS 12B-3B48
	57	345,81	B	25	82	140	70	10,87	49,78	33,73	PHS 12B-3B57
	60	363,99	C	25	82	140	70	10,87	49,78	35,51	PHS 12B-3C60
	68	412,49	C	25	82	140	70	10,87	49,78	40,24	PHS 12B-3C68
	76	460,99	C	25	95	140	70	10,87	49,78	37,19	PHS 12B-3C76
	80	485,22	C	25	95	140	70	10,87	49,78	39,15	PHS 12B-3C80
95	576,17	C	25	95	140	70	10,87	49,78	47,63	PHS 12B-3C95	
25,40	10	90,14	B	20	42	56	95	15,82	79,58	1,85	PHS 16B-3BH10
	11	90,14	B	25	42	64	100	15,82	79,58	3,59	PHS 16B-3BH11
	12	98,14	B	25	45	72	100	15,82	79,58	3,59	PHS 16B-3BH12
	13	106,12	B	25	52	80	100	15,82	79,58	4,13	PHS 16B-3BH13
	14	114,15	B	25	58	88	100	15,82	79,58	4,68	PHS 16B-3BH14
	15	122,17	B	25	62	96	100	15,82	79,58	5,54	PHS 16B-3BH15
	16	130,20	B	25	66	104	100	15,82	79,58	6,81	PHS 16B-3BH16
	17	138,22	B	25	74	112	100	15,82	79,58	8,07	PHS 16B-3BH17
	18	146,28	B	25	80	120	100	15,82	79,58	9,99	PHS 16B-3BH18
	19	154,33	B	25	84	128	100	15,82	79,58	10,89	PHS 16B-3BH19
	20	162,38	B	25	85	130	100	15,82	79,58	11,80	PHS 16B-3BH20
	21	170,43	B	25	85	130	100	15,82	79,58	13,61	PHS 16B-3BH21
	22	178,48	B	25	85	130	100	15,82	79,58	14,07	PHS 16B-3BH22
	23	186,53	B	25	85	130	100	15,82	79,58	14,97	PHS 16B-3BH23
	24	194,59	B	25	85	130	100	15,82	79,58	16,34	PHS 16B-3BH24
	25	202,66	B	25	85	130	100	15,82	79,58	17,70	PHS 16B-3BH25
	26	210,72	B	30	85	130	100	15,82	79,58	19,98	PHS 16B-3B26
	27	218,79	B	30	85	130	100	15,82	79,58	21,57	PHS 16B-3B27
	28	226,85	B	30	85	130	100	15,82	79,58	23,15	PHS 16B-3B28
	29	234,92	B	30	85	130	100	15,82	79,58	24,74	PHS 16B-3B29
	30	243,00	B	30	95	136	100	15,82	79,58	26,33	PHS 16B-3B30
	35	283,36	B	30	95	140	100	15,82	79,58	36,06	PHS 16B-3B35
	36	291,44	B	30	95	140	100	15,82	79,58	38,06	PHS 16B-3B36
	38	307,59	C	30	97	140	100	15,82	79,58	38,22	PHS 16B-3C38
	42	339,89	C	30	97	160	100	15,82	79,58	38,51	PHS 16B-3C42
	45	364,13	C	30	97	160	100	15,82	79,58	41,77	PHS 16B-3C45
57	461,07	C	30	107	180	110	15,82	79,58	54,80	PHS 16B-3C57	
60	485,32	C	30	107	180	110	15,82	79,58	58,06	PHS 16B-3C60	
68	549,98	C	30	107	180	110	15,82	79,58	63,50	PHS 16B-3C68	
76	614,65	C	30	107	180	110	15,82	79,58	74,52	PHS 16B-3C76	
95	768,22	C	30	114	180	110	15,82	79,58	100,70	PHS 16B-3C95	
114	921,81	C	30	114	180	110	15,82	79,58	120,84	PHS 16B-3C114	
31,75	10	102,75	B	20	47	70	110	18,19	91,08	3,95	PHS 20B-3BH10
	11	112,70	B	20	52	80	115	18,19	91,08	5,26	PHS 20B-3BH11
	12	122,67	B	20	60	90	115	18,19	91,08	6,21	PHS 20B-3BH12
	13	132,67	B	20	64	100	115	18,19	91,08	9,26	PHS 20B-3BH13
	14	142,68	B	20	73	110	115	18,19	91,08	9,76	PHS 20B-3BH14
	15	152,71	B	20	80	120	115	18,19	91,08	10,81	PHS 20B-3BH15
	16	162,75	B	25	80	120	115	18,19	91,08	12,76	PHS 20B-3BH16
	17	172,79	B	25	80	120	115	18,19	91,08	14,76	PHS 20B-3BH17
	18	182,84	B	25	80	120	115	18,19	91,08	16,71	PHS 20B-3BH18
	19	192,90	B	25	80	120	115	18,19	91,08	19,13	PHS 20B-3BH19

Maximum bores can accommodate standard keyways. Larger bores are available where a shallow keyway is used or no keyway is required.
 All Type B or C sprockets, up to and including 25 tooth, are with hardened teeth as standard.
 For any additional size sprockets with hardened teeth, add "H" before the number of teeth, e.g. PHS 06B-3BH12.

Metric sprockets, triplex, standard

ISO 20B-3 · 31,75 mm pitch

Pitch	Number of teeth	Pitch diameter PD	Type	Dimensions Bore		Hub		Plate thickness		Mass	Designation
				Min.	Max.	H	L	t ₁	t ₂		
mm	–	mm	–	mm						kg	–
31,75	20	202,96	B	25	80	120	115	18,19	91,08	21,57	PHS 20B-3BH20
	21	213,03	B	25	92	140	115	18,19	91,08	23,36	PHS 20B-3BH21
	22	223,10	B	25	92	140	115	18,19	91,08	25,65	PHS 20B-3BH22
	23	233,17	B	25	92	140	115	18,19	91,08	27,90	PHS 20B-3BH23
	24	243,25	B	25	95	140	115	18,19	91,08	27,19	PHS 20B-3BH24
	25	253,32	B	25	95	140	115	18,19	91,08	27,90	PHS 20B-3BH25
	26	263,41	B	25	95	150	115	18,19	91,08	31,90	PHS 20B-3B26
	27	273,49	B	25	95	150	115	18,19	91,08	35,90	PHS 20B-3B27
	28	283,57	B	25	95	150	115	18,19	91,08	39,90	PHS 20B-3B28
	30	303,75	B	25	95	150	115	18,19	91,08	47,90	PHS 20B-3B30
	32	323,92	B	30	95	150	115	18,19	91,08	51,57	PHS 20B-3B32
	35	354,20	C	30	97	150	115	18,19	91,08	57,29	PHS 20B-3C35
	36	364,29	C	30	97	150	115	18,19	91,08	59,35	PHS 20B-3C36
	38	384,48	C	30	97	150	115	18,19	91,08	62,56	PHS 20B-3C38
	42	424,86	C	30	97	160	110	18,19	91,08	70,12	PHS 20B-3C42
	45	455,15	C	30	97	160	110	18,19	91,08	75,84	PHS 20B-3C45
	57	576,35	C	30	102	180	123	18,19	91,08	100,11	PHS 20B-3C57
	60	606,66	C	30	102	180	123	18,19	91,08	104,86	PHS 20B-3C60
	68	687,48	C	30	102	200	123	18,19	91,08	117,54	PHS 20B-3C68
	76	768,30	C	30	102	200	123	18,19	91,08	130,21	PHS 20B-3C76
80	808,71	C	30	102	200	123	18,19	91,08	136,55	PHS 20B-3C80	
95	960,28	C	30	102	200	123	18,19	91,08	160,31	PHS 20B-3C95	
114	1 152,27	C	30	102	200	126	18,19	91,08	190,41	PHS 20B-3C114	

Maximum bores can accommodate standard keyways. Larger bores are available where a shallow keyway is used or no keyway is required. All Type B or C sprockets, up to and including 25 tooth, are with hardened teeth as standard. For any additional size sprockets with hardened teeth, add "H" before the number of teeth, e.g. PHS 06B-3BH12.